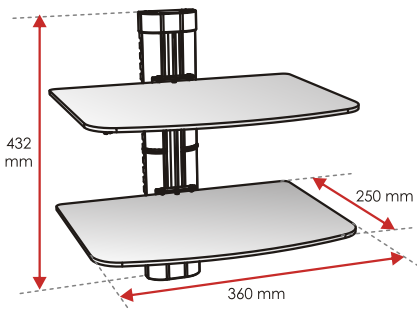


PÓŁKA SZKLANA TWO

EN GLASS SHELF TWO

DE GLASREGAL TWO



10 kg
(22 lbs)
Max weight
Max. Belastung
Maksymalna waga



All fixings included
Zubehör
Akcesoria do montażu



Colour
Farbe
Kolor



Design in Italy

Stefano Ferrero



AX TECHNOLOGY Sp. z o.o. Sp.k.
ul. Modra 62
71-220 Szczecin
www.axtechnology.eu



Designed in Europe. All rights reserved.
Made in P.R.O.C.

